

Angular/Sprue gripper

HC15 · HC20 · HC30 series

Ordering code

HC 15 B R-B

Series name ① ② ③ ④

① Cylinder cross-sectional area

15···2.1cm² 20···4.3cm² 30···8.8cm²

*Only 15 (2.1 cm²) and 20 (4.3 cm²) are available for the ones with finger tool.

② Actuation

A···Double acting B···Single acting, normally open

C···Single acting, normally closed

*Only B (single acting, normally open) is available for the ones with finger tool.

③ Body material

R···Resin M···Die cast RX···Resin (with finger tool)

MX···Die-cast (with finger tool)

機種名	R	M	RX	MX
HC15	○	—	○	—
HC20	○	○	○	○
HC30	—	○	—	—

Code Old model [P] → New model [R] Old model [D] → New model [M]
 Old model [PX] → New model [RX] Old model [DX] → New model [MX]

④ Option

S···Sensor B···Mounting bracket

WS···Gripper sensor

BS···Gripper sensor + Mounting bracket

Body material (R/M type)

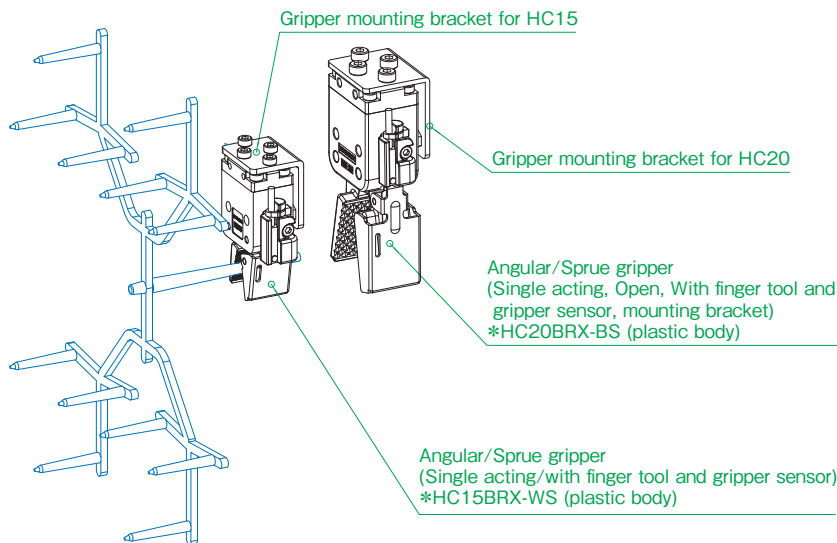
機種名	S	B	WS	BS
HC15□R	○	○	—	—
HC20□(R·M)	○	○ (Addition)	—	—
HC30□M	○	—	—	—

Body material (RX/MX type)

機種名	S	B	WS	BS
HC15BRX	—	○	○ (Addition)	○ (Addition)
HC20 (BRX·BMX)	— (Discontinuance)	○	○ (Change)	○ (Change)

Usage example

- HC15BRX-WS
- HC20B(R·M)-WS



	HC15□(R·RX)	HC20□(R·RX)	HC20□(M·MX)	HC30□M
Operation method	Double acting/Single acting			
Fluid	Compressed air (no lubrication)			
Working pressure range	0.2~0.6MPa		0.2~0.7MPa	
Temperature range of use	0 to 60°C (use in non-freezing conditions)			
Port size	M5×0.8			
Cylinder cross-sectional area	2.1cm ²	4.3cm ²	8.8cm ²	
Repetition accuracy	± 0.1mm (at the midpoint of the gripper)			
Maximum frequency	100cpm (cycles per minute)			

HC15 series

Code	Weight [g]
HC15□R	50
HC15□R-S	112
HC15□R-B	77
HC15BRX	60
HC15BRX-WS	82
HC15BRX-B	87
HC15BRX-BS	109

HC20 series (plastic body)

Code	Weight [g]
HC20□R	105
HC20□R-S	188
HC20□R-B	143
HC20BRX	146
HC20BRX-WS	176
HC20BRX-B	184
HC20BRX-BS	214

HC20 series (metal body)

Code	Weight [g]
HC20□M	180
HC20□M-S	228
HC20□M-B	218
HC20BMX	224
HC20BMX-WS	256
HC20BMX-B	262
HC20BMX-BS	294

HC30 series

Code	Weight [g]
HC30□M	450
HC30□M-S	518

Angular/Sprue gripper

HC15 · HC20 · HC30 series

HC15AR



HC15AR-S



HC15BRX



HC15BRX-WS



HC15B



HC15 series	Product code	Part code	品目名称
	HC15AR	*HC15AR	Angular/Sprue gripper (Double acting)
	HC15BR	*HC15BR	Angular/Sprue gripper (Single acting, Normally open)
	HC15CR	*HC15CR	Angular/Sprue gripper (Single acting, Normally closed)
	HC15AR-S	*HC15AR-S	Angular/Sprue gripper (Double acting, With sensor)
	HC15BR-S	*HC15BR-S	Angular/Sprue gripper (Single acting, Open, With sensor)
	HC15CR-S	*HC15CR-S	Angular/Sprue gripper (Single acting, Closed, With sensor)
	HC15AR-B	*HC15AR-B	Angular/Sprue gripper (Double acting, With bracket)
	HC15BR-B	*HC15BR-B	Angular/Sprue gripper (Single acting, Open, With bracket)
	HC15CR-B	*HC15CR-B	Angular/Sprue gripper (Single acting, Closed, With bracket)
	HC15BRX	*HC15BRX	Angular/Sprue gripper (Single acting, Open, With finger tool)
	HC15BRX-WS	*HC15BRX-WS	Angular/Sprue gripper (Single acting, Open, With finger tool and gripper sensor)
	HC15BRX-B	*HC15BRX-B	Angular/Sprue gripper (Single acting, Open, With finger tool and mounting bracket)
HC15BRX-BS	*HC15BRX-BS	Angular/Sprue gripper (Single acting, Open, With finger tool and gripper sensor/mounting bracket)	

HC20BR



HC20BR-S



HC20BRX



HC20BRX-WS



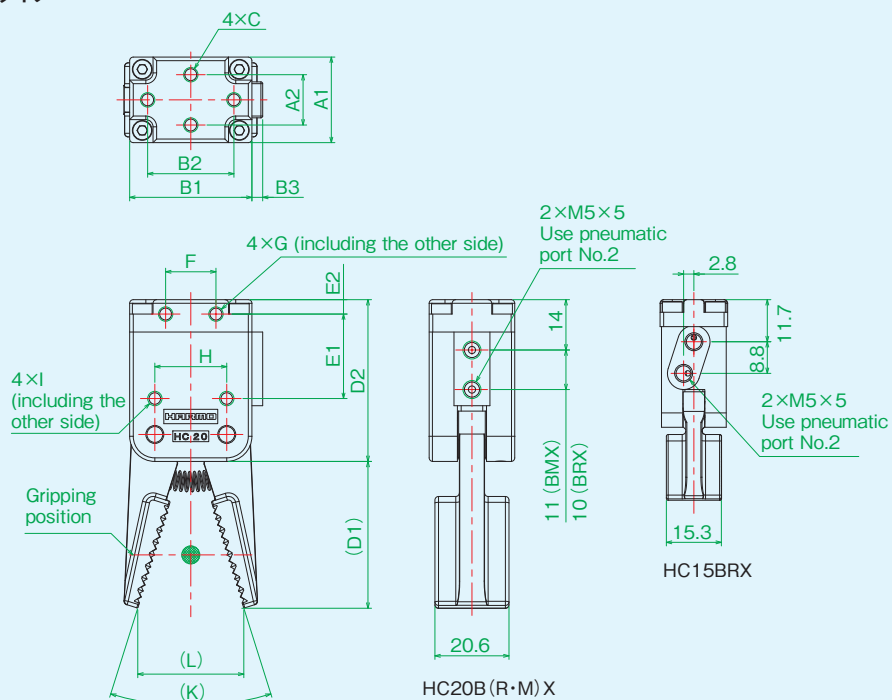
HC20 series (plastic body)	Product code	Part code	品目名称
	HC20AR	*HC20AR	Angular/Sprue gripper (Double acting)
	HC20BR	*HC20BR	Angular/Sprue gripper (Single acting, Normally open)
	HC20CR	*HC20CR	Angular/Sprue gripper (Single acting, Normally closed)
	HC20AR-S	*HC20AR-S	Angular/Sprue gripper (Double acting, With sensor)
	HC20BR-S	*HC20BR-S	Angular/Sprue gripper (Single acting, Open, With sensor)
	HC20CR-S	*HC20CR-S	Angular/Sprue gripper (Single acting, Closed, With sensor)
	HC20AR-B	*HC20AR-B	Angular/Sprue gripper (Double acting, With bracket)
	HC20BR-B	*HC20BR-B	Angular/Sprue gripper (Single acting, Open, With bracket)
	HC20CR-B	*HC20CM-B	Angular/Sprue gripper (Single acting, Closed, With bracket)
	HC20BRX	*HC20BRX	Angular/Sprue gripper (Single acting, Open, With finger tool)
	HC20BRX-WS	*HC20BRX-WS	Angular/Sprue gripper (Single acting, Open, With finger tool and gripper sensor)
	HC20BRX-B	*HC20BRX-B	Angular/Sprue gripper (Single acting, Open, With finger tool and mounting bracket)
HC20BRX-BS	*HC20BRX-BS	Angular/Sprue gripper (Single acting, Open, With finger tool and gripper sensor/mounting bracket)	

HC20 series (metal body)	Product code	Part code	品目名称
	HC20AM	*HC20AM	Angular/Sprue gripper (Double acting)
	HC20BM	*HC20BM	Angular/Sprue gripper (Single acting, Normally open)
	HC20CM	*HC20CM	Angular/Sprue gripper (Single acting, Normally closed)
	HC20AM-S	*HC20AM-S	Angular/Sprue gripper (Double acting, With sensor)
	HC20BM-S	*HC20BM-S	Angular/Sprue gripper (Single acting, Open, With sensor)
	HC20CM-S	*HC20CM-S	Angular/Sprue gripper (Single acting, Closed, With sensor)
	HC20AM-B	*HC20AM-B	Angular/Sprue gripper (Double acting, With bracket)
	HC20BM-B	*HC20BM-B	Angular/Sprue gripper (Single acting, Open, With bracket)
	HC20CM-B	*HC20CM-B	Angular/Sprue gripper (Single acting, Closed, With bracket)
	HC20BMX	*HC20BMX	Angular/Sprue gripper (Single acting, Open, With finger tool)
	HC20BMX-WS	*HC20BMX-WS	Angular/Sprue gripper (Single acting, Open, With finger tool and gripper sensor)
	HC20BMX-B	*HC20BMX-B	Angular/Sprue gripper (Single acting, Open, With finger tool and mounting bracket)
HC20BMX-BS	*HC20BMX-BS	Angular/Sprue gripper (Single acting, Open, With finger tool and gripper sensor/mounting bracket)	

Angular/Sprue gripper (with finger tool)

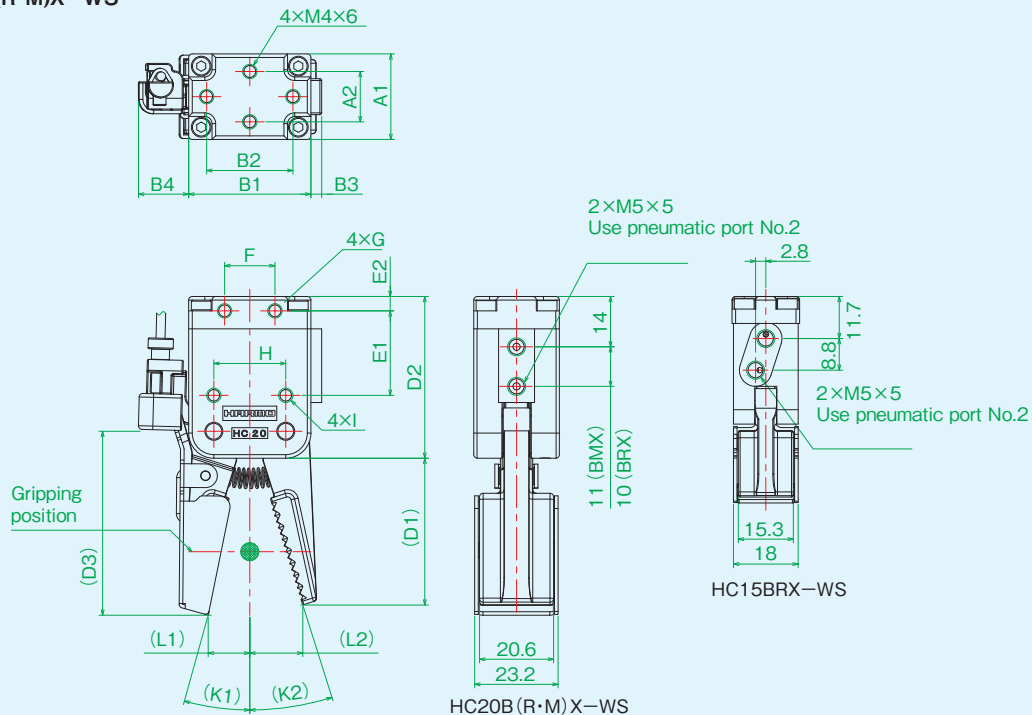
External dimensions of HC15X/HC20X series

HC15・20B(R・M)Xタイプ



Code	A1	A2	B1	B2	B3	C	D1	D2	E1	E2	F	G	H	I	K1	L
HC15BRX	18.8	12	28	22	5	M3×5	20.3	35.5	—	3.5	12	M3×8	—	—	37	16.1
HC20BRX	23.8	14	34	24	3.3	M4×6	40.8	45	—	4	14	M4×8	20	M4×5	35	29.5
HC20BMX					3				23.5							

HC15・20B(R・M)X-WS



Code	A1	A2	B1	B2	B3	B4	C	D1	D2	E1	E2	F	G	H	I	K1	K2	L1	L
HC15BRX-WS	18.8	12	28	22	5	13	M3×5	20.3	35.5	—	3.5	12	M3×8	—	—	12.5	18.5	6.9	8
HC20BRX-WS	23.8	14	34	24	3.3	14	M4×6	40.8	45	—	4	14	M4×8	20	M4×5	15.5	17.5	11.6	14.7
HC20BMX-WS					3					23.5									

Angular/Sprue gripper

External dimensions and list price of HC15/HC20/HC30 series

HC30AM

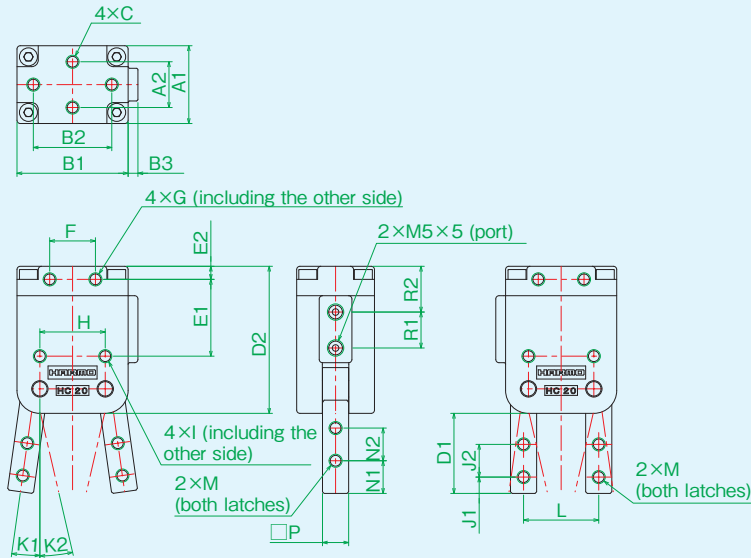


HC30BM-S



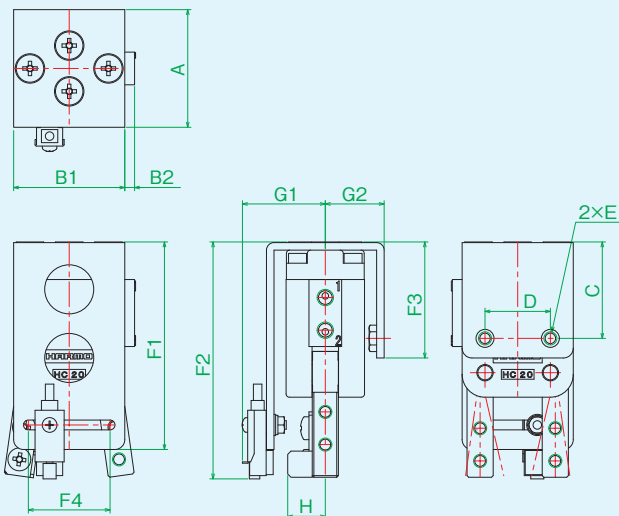
Product code	Part code	品目名称
HC30AM	*HC30AM	Angular/Sprue gripper (Double acting)
HC30BM	*HC30BM	Angular/Sprue gripper (Single acting, Normally open)
HC30CM	*HC30CM	Angular/Sprue gripper (Single acting, Normally closed)
HC30AM-S	*HC30AM-S	Angular/Sprue gripper (Double acting, With sensor)
HC30BM-S	*HC30BM-S	Angular/Sprue gripper (Single acting, Open, With sensor)
HC30CM-S	*HC30CM-S	Angular/Sprue gripper (Single acting, Closed, With sensor)

HC15·20·30□R·M



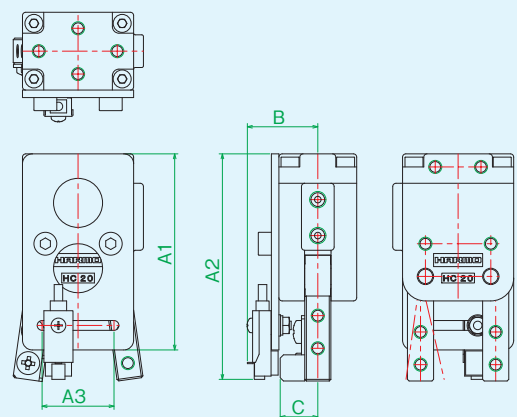
Code	A1	A2	B1	B2	B3	C	D1	D2	E1	E2	F	G	H	I	J1	J2	K1	K2	L	M	N1	N2	P	R1	R2
HC15□R	18.8	12	28	22	5	M3×5	20	35.5	—	3.5	12	M3×8	—	—	3	8	15	10	16	M3	7	8	6	8.8	11.7
HC20□R	23.8	14	34	24	3.3	M4×6	24.5	45	—	4	14	M4×8	—	—	5	10	8	13	23	M4	10	10	8	10	14
HC20□M					3				23.5				20	M4×5										11	
HC30□M	31.8	22	52	42	2	M5×6.5	34	55	28	4	22	M5×15	30	M5×6	6	16	19	10	30	M5	12	16	12	15.5	13

HC15·20□R-S



The bracket and sensor trigger are included and will be assembled by the customer.

HC20·30□M-S



The bracket and sensor trigger are included and will be assembled by the customer.

Code	A	B1	B2	C	D	E	F1	F2	F3	F4	G1	G2	H
HC15□R-S	30	28	5	24.3	16	M4	52.3	61.3	30.3	21	22.4	15	12
HC20□R-S	36	34	3.3	29.5	20	M4	63.5	72.5	35.5	25	25.4	18	11.5

Code	A1	A2	A3	B	C
HC20□M-S	60	69	22	21.6	11.5
HC30□M-S	77	86	43	25.6	15