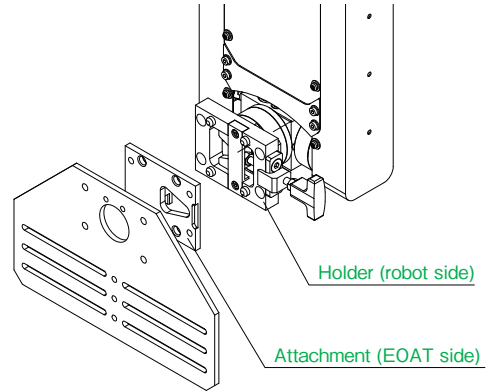
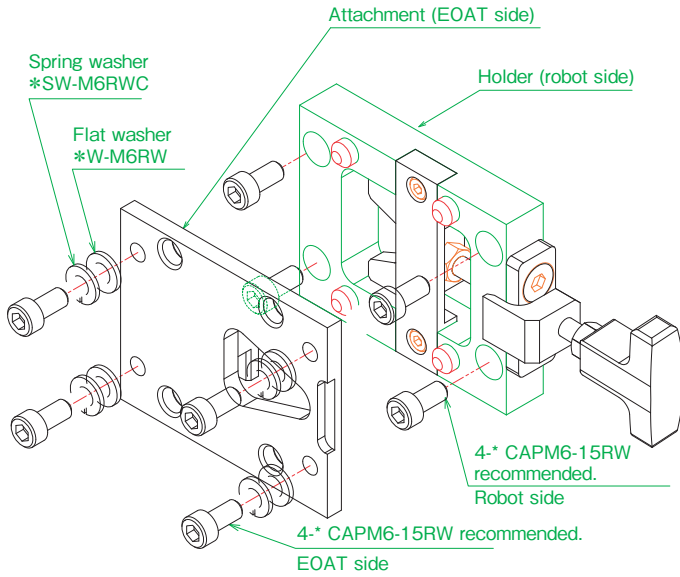


One touch attachment

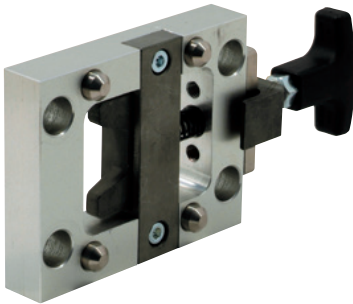
Accessories

EOAT one touch attachment (for traverse type)

- This greatly reduces the setup time for EOAT changes associated with mold changes.



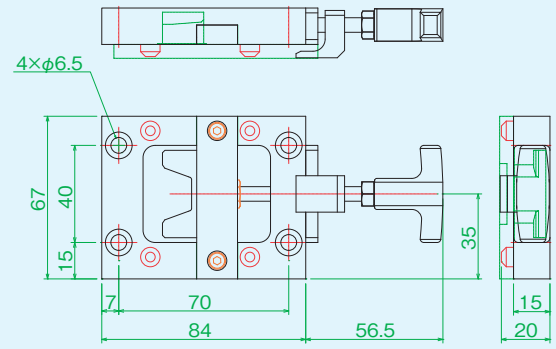
Holder (robot side)



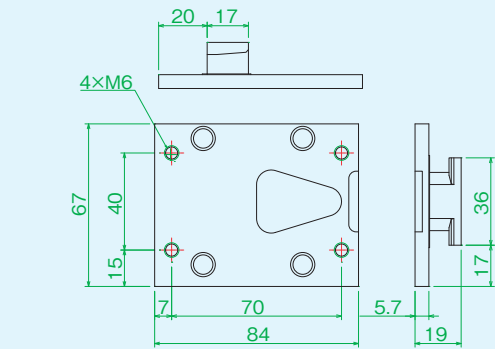
Attachment (EOAT side)



Holder (robot side)



Attachment (EOAT side)



Code	Holder (robot side)	Attachment (EOAT side)	One touch attachment (set)
Part code	130P9030	130P0241	1342P9012
Main body material	—	SS400 and Nitrocarburizing	SS400 and Nitrocarburizing (EOAT side)
Compatible robot	Up to models of class 200 HARMO's traverse model		
Maximum payload	5 kg or less		
Weight	304g	243.1g	547.1g

Attachment holder

For swing type

Accessories

Under plate

Product name	Under plate
Part code	110P0081
Weight	42g
Material	A5052P

